

DRAWING LIST	
PV-01	TITLE SHEET
PV-02	SITE PLAN
PV-03	ARRAY LAYOUT
PV-04	ELECTRICAL DRAWING

SCOPE OF WORK
ARRAY(S): INSTALLATION OF GROUND MOUNTED ARRAY NORTH OF HOUSE, PARALLEL TO NORTHERN FENCE.
CONDUIT RUNS: DC TRENCH FROM ARRAY TO HOUSE. PUNCH INTO BASEMENT, RUN CONDUIT TO AC EQUIPMENT ON SOUTHWEST BASEMENT WALL
ELECTRICAL EQUIPMENT: INSTALLATION OF SOLAR INVERTERS, AC, COMBINER, AC DISCONNECT ON SOUTHWEST WALL IN HOUSE BASEMENT.
INTERCONNECTION / ELECTRICAL SCOPE: INTERCONNECT SOLAR INVERTER VIA LINE SIDE TAP IN ATS.

ZONING DETAILS	
ZONING CLASS:	R40 -
TAX I.D. #:	38.-3-87.22
REQUIRED PROJECT SETBACKS(F,S,R):	60' F, 30' S, 50' R
ACTUAL PROJECT SETBACKS (F,S,R):	273' F, 215' / 30' S, 14' R



DESIGN CRITERIA	
BASIC WIND SPEED:	115 MPH
WIND EXPOSURE CATEGORY	C
GROUND SNOW LOAD	50 PSF
ASCE CODE	7-10

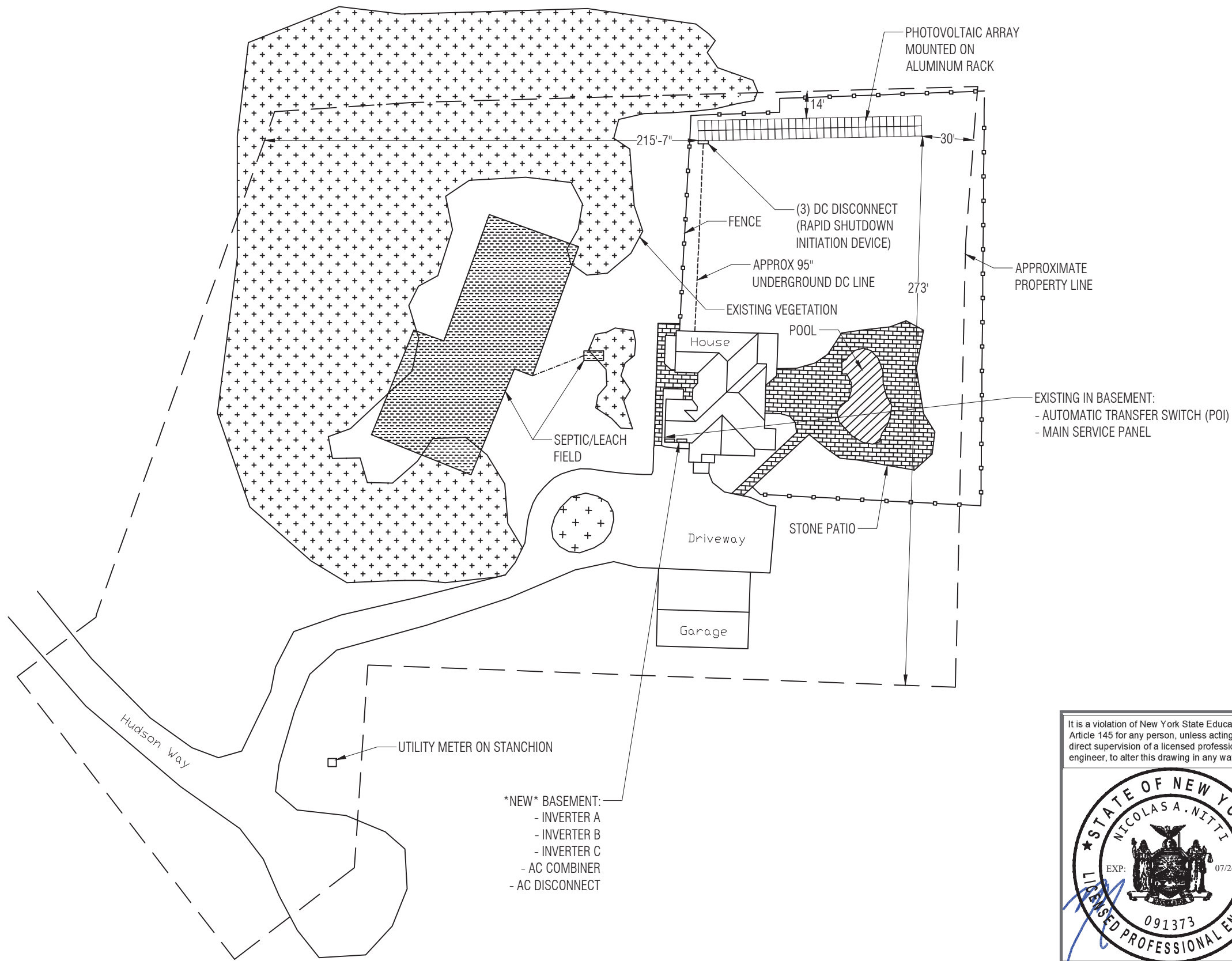
It is a violation of New York State Education Law Article 145 for any person, unless acting under the direct supervision of a licensed professional engineer, to alter this drawing in any way.



AERIAL PARCEL VIEW (SCALE: 1" = 35')

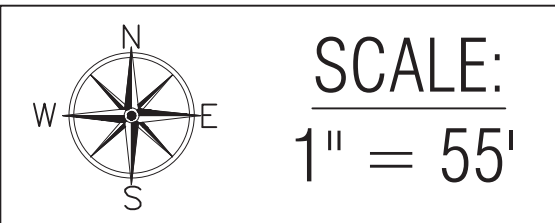
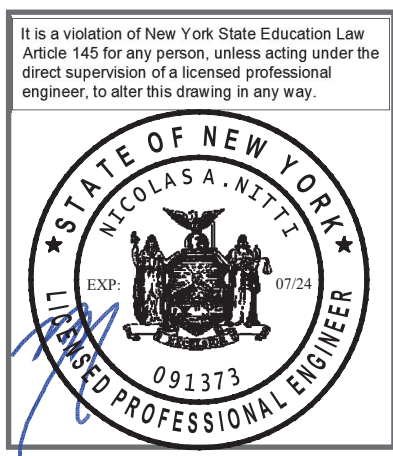
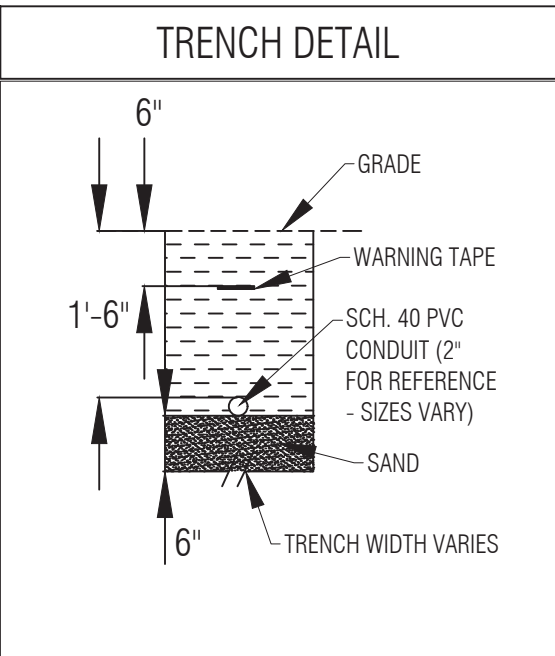


TITLE SHEET	 SUNCOMMON 13 HOOK ROAD RHINEBECK, NEW YORK 12572 (866)-452-7652	DENEHY 32 HUDSON WAY COLD SPRING, NY 10516 TOWN OF PHILIPSTOWN PUTNAM COUNTY PHONE: (914) 450-2235	PROJECT LOG				APPLICABLE CODES: CONTRACTOR TO PERFORM ALL WORK IN ACCORDANCE WITH THE 2020 RESIDENTIAL CODE OF NEW YORK STATE.	SYSTEM DETAILS			
			DB	V#	DATE	NOTES		DC SYSTEM SIZE (kWp):	27.84	MODULE (QTY) MODEL:	(64) LG435N2T-E6
			PSC	1	10/04/2021	ORIGINAL		AC SYSTEM SIZE (kW):	21.36	INVERTER (QTY) MODEL:	(2) SB7.7-1SP-US-41 (1) SB6.0-1SP-US-41
PV-01	 SUNCOMMON SUNCOMMON CONFIDENTIAL AND PROPRIETARY					SERVICE SIZE (A):	400				
1 OF 4						SERVICE TYPE:	UNDERGROUND	UTILITY:	CENTRAL HUDSON		



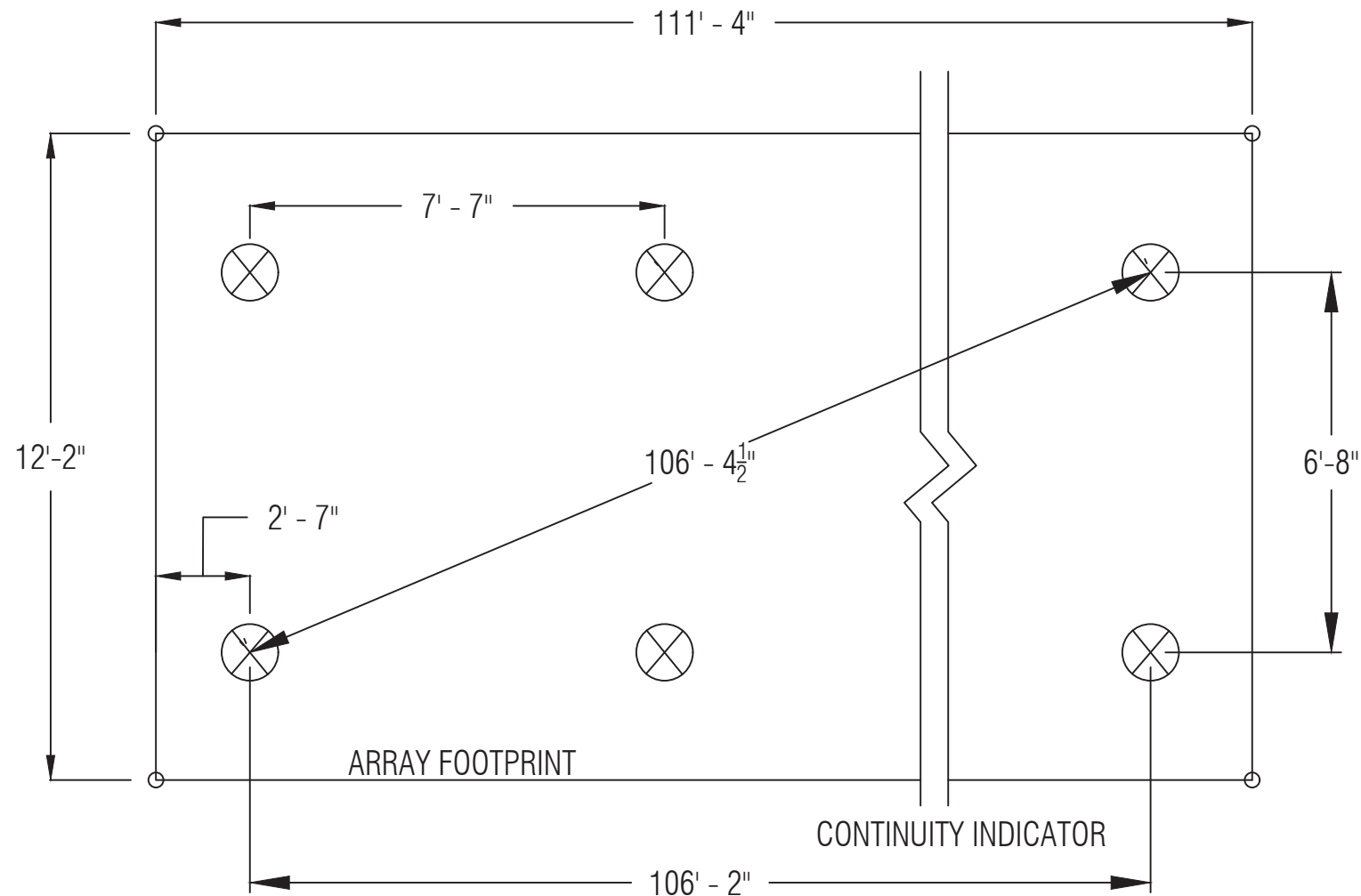
LEGEND

STRUCTURE OR ROAD	—————
PARCEL LINE	- - - - -
BURIED LINE	- - - - -
FENCE	—○—○—○—
EXISTING VEGETATION	+ + + + +
SEPTIC & LEACH FIELD	
OBSTRUCTION	//////
MASONRY	▒▒▒▒



- *NEW* BASEMENT:
- INVERTER A
 - INVERTER B
 - INVERTER C
 - AC COMBINER
 - AC DISCONNECT

SITE PLAN PV-02 2 OF 4	<p>SUNCOMMON 13 HOOK ROAD RHINEBECK, NEW YORK 12572 (866)-452-7652</p>	DENEHY 32 HUDSON WAY COLD SPRING, NY 10516 TOWN OF PHILIPSTOWN PUTNAM COUNTY PHONE: (914) 450-2235	PROJECT LOG <table border="1"> <thead> <tr> <th>DB</th> <th>V#</th> <th>DATE</th> <th>NOTES</th> </tr> </thead> <tbody> <tr> <td>PSC</td> <td>1</td> <td>10/04/2021</td> <td>ORIGINAL</td> </tr> </tbody> </table>	DB	V#	DATE	NOTES	PSC	1	10/04/2021	ORIGINAL	APPLICABLE CODES: CONTRACTOR TO PERFORM ALL WORK IN ACCORDANCE WITH THE 2020 RESIDENTIAL CODE OF NEW YORK STATE.	SYSTEM DETAILS <table border="1"> <tr> <td>DC SYSTEM SIZE (kWp):</td> <td>27.84</td> <td>MODULE (QTY) MODEL:</td> <td>(64) LG435N2T-E6</td> </tr> <tr> <td>AC SYSTEM SIZE (kW):</td> <td>21.36</td> <td>INVERTER (QTY) MODEL:</td> <td>(2) SB7.7-1SP-US-41 (1) SB6.0-1SP-US-41</td> </tr> <tr> <td>SERVICE SIZE (A):</td> <td>400</td> <td></td> <td></td> </tr> <tr> <td>SERVICE TYPE:</td> <td>UNDERGROUND</td> <td>UTILITY:</td> <td>CENTRAL HUDSON</td> </tr> </table>	DC SYSTEM SIZE (kWp):	27.84	MODULE (QTY) MODEL:	(64) LG435N2T-E6	AC SYSTEM SIZE (kW):	21.36	INVERTER (QTY) MODEL:	(2) SB7.7-1SP-US-41 (1) SB6.0-1SP-US-41	SERVICE SIZE (A):	400			SERVICE TYPE:	UNDERGROUND	UTILITY:	CENTRAL HUDSON
			DB	V#	DATE	NOTES																							
			PSC	1	10/04/2021	ORIGINAL																							
DC SYSTEM SIZE (kWp):	27.84	MODULE (QTY) MODEL:	(64) LG435N2T-E6																										
AC SYSTEM SIZE (kW):	21.36	INVERTER (QTY) MODEL:	(2) SB7.7-1SP-US-41 (1) SB6.0-1SP-US-41																										
SERVICE SIZE (A):	400																												
SERVICE TYPE:	UNDERGROUND	UTILITY:	CENTRAL HUDSON																										
SUNCOMMON CONFIDENTIAL AND PROPRIETARY																													

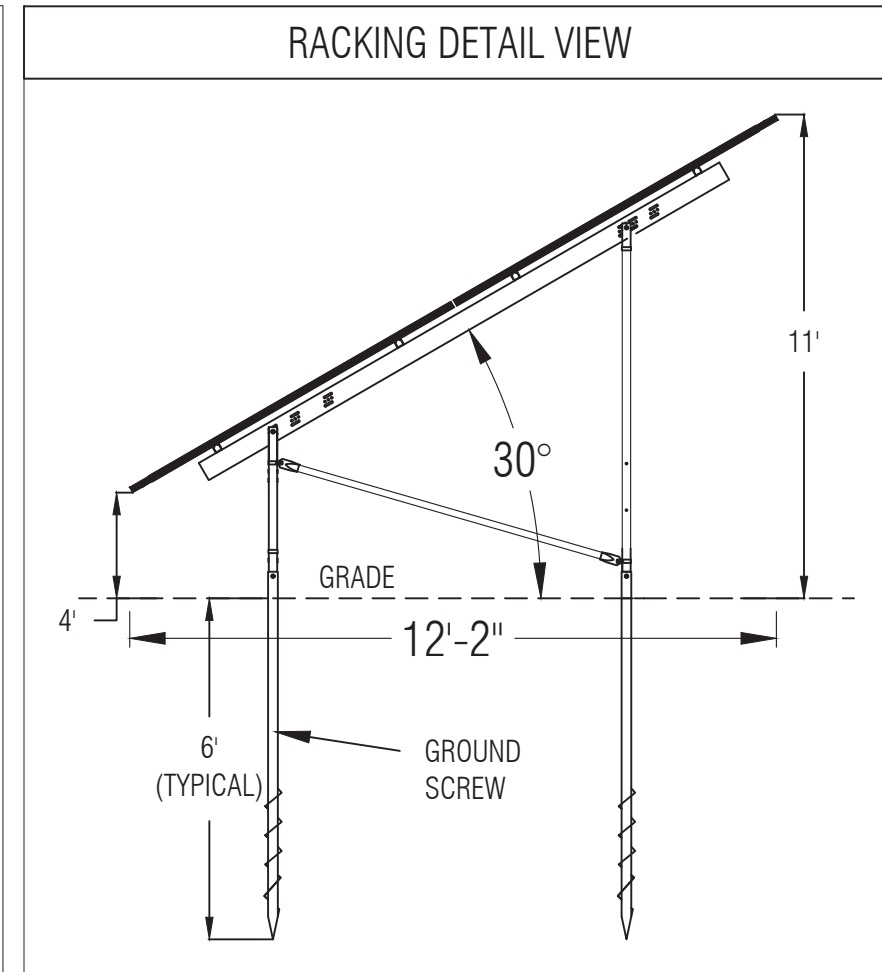


⊗ POST LOCATION

○ ARRAY CORNERS MARKED ON SITE

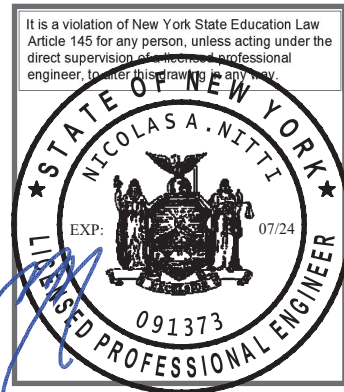
⌋ ARRAY CONTINUATION INDICATOR

It is a violation of New York State Education Law Article 145 for any person, unless acting under the direct supervision of a licensed professional engineer, to alter this drawing in any way.



GROUND MOUNT DETAILS	
ARRAY SQUARE FOOTAGE:	1332 FT ²
MODULE DIMENSIONS (LENGTH X WIDTH X DEPTH):	83.9" X 41.0" X 1.57"
RACKING TYPE:	APA READYRACK
PANEL CONFIGURATION	2 X 32
ARRAY AZIMUTH (TRUE °):	179
'A' - ARRAY LENGTH' DIMENSION: (FT-IN):	111' - 4"
'B' - POST SPACING' DIMENSION (FT-IN):	7' - 7"
'C' - RAIL CANTILEVER' DIMENSION (FT-IN):	2' - 7"
'D' - PERIMETER E-W POST SPACING	106' - 2"
'E' - HYPOTENUSE	106' - 4 1/2"
MAX ALLOWABLE POST SPACING (FT-IN):	8'
MAX ALLOWABLE CANTILEVER (FT-IN):	3'-3"

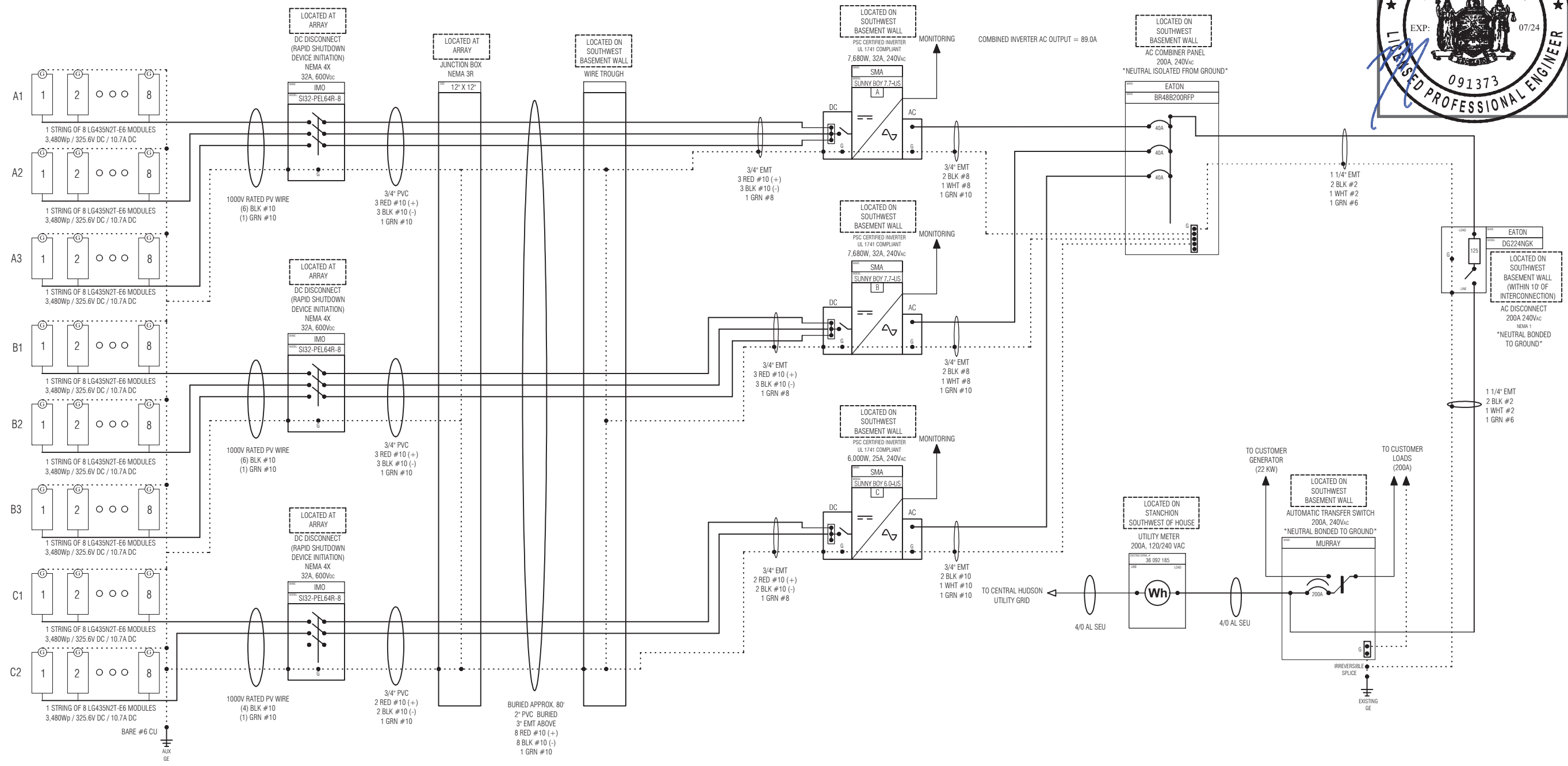
ARRAY LAYOUT	<p>SUNCOMMON 13 HOOK ROAD RHINEBECK, NEW YORK 12572 (866)-452-7652</p>	<p>DENEHY 32 HUDSON WAY COLD SPRING, NY 10516 TOWN OF PHILIPSTOWN PUTNAM COUNTY PHONE: (914) 450-2235</p>	<table border="1"> <thead> <tr> <th colspan="4">PROJECT LOG</th> </tr> <tr> <th>DB</th> <th>V#</th> <th>DATE</th> <th>NOTES</th> </tr> </thead> <tbody> <tr> <td>PSC</td> <td>1</td> <td>10/04/2021</td> <td>ORIGINAL</td> </tr> <tr> <td> </td> <td> </td> <td> </td> <td> </td> </tr> <tr> <td> </td> <td> </td> <td> </td> <td> </td> </tr> <tr> <td> </td> <td> </td> <td> </td> <td> </td> </tr> </tbody> </table>	PROJECT LOG				DB	V#	DATE	NOTES	PSC	1	10/04/2021	ORIGINAL													<p>APPLICABLE CODES:</p> <p>CONTRACTOR TO PERFORM ALL WORK IN ACCORDANCE WITH THE 2020 RESIDENTIAL CODE OF NEW YORK STATE.</p>	<table border="1"> <thead> <tr> <th colspan="4">SYSTEM DETAILS</th> </tr> </thead> <tbody> <tr> <td>DC SYSTEM SIZE (kWp):</td> <td>27.84</td> <td>MODULE (QTY) MODEL:</td> <td>(64) LG435N2T-E6</td> </tr> <tr> <td>AC SYSTEM SIZE (kW):</td> <td>21.36</td> <td>INVERTER (QTY) MODEL:</td> <td>(2) SB7.7-1SP-US-41 (1) SB6.0-1SP-US-41</td> </tr> <tr> <td>SERVICE SIZE (A):</td> <td>400</td> <td>UTILITY:</td> <td>CENTRAL HUDSON</td> </tr> <tr> <td>SERVICE TYPE:</td> <td>UNDERGROUND</td> <td> </td> <td> </td> </tr> </tbody> </table>	SYSTEM DETAILS				DC SYSTEM SIZE (kWp):	27.84	MODULE (QTY) MODEL:	(64) LG435N2T-E6	AC SYSTEM SIZE (kW):	21.36	INVERTER (QTY) MODEL:	(2) SB7.7-1SP-US-41 (1) SB6.0-1SP-US-41	SERVICE SIZE (A):	400	UTILITY:	CENTRAL HUDSON	SERVICE TYPE:	UNDERGROUND		
PROJECT LOG																																																	
DB			V#	DATE	NOTES																																												
PSC	1	10/04/2021	ORIGINAL																																														
SYSTEM DETAILS																																																	
DC SYSTEM SIZE (kWp):	27.84	MODULE (QTY) MODEL:	(64) LG435N2T-E6																																														
AC SYSTEM SIZE (kW):	21.36	INVERTER (QTY) MODEL:	(2) SB7.7-1SP-US-41 (1) SB6.0-1SP-US-41																																														
SERVICE SIZE (A):	400	UTILITY:	CENTRAL HUDSON																																														
SERVICE TYPE:	UNDERGROUND																																																
PV-03																																																	
3 OF 4	SUNCOMMON CONFIDENTIAL AND PROPRIETARY																																																



ELECTRICAL NOTES

- ALL CONDUCTORS SIZED ACCORDING TO NEC-2017 TABLE 310.15(B)16/310.15(B)17 COPPER/AL CONDUCTOR, NEC-2017
310.15(B)(2)(A), 310.15(B)(3)(a), 310.15(B)(3)(c) AND ARTICLE 690.
- ALL CONDUITS SIZED ACCORDING TO NEC-2017 TABLE 310.15(B)16/310.15(B)17 COPPER/AL CONDUCTOR, NEC-2017
310.15(B)(2)(A), 310.15(B)(3)(a), 310.15(B)(3)(c) AND CHAPTER 9, TABLE 4 & TABLE 5.
- INSTALLER SHALL PROVIDE PERMANENT LABELS FOR THE PHOTOVOLTAIC SYSTEM IN ACCORDING TO NEC 2017, ARTICLE 690 AND 705.10. SEE ELECTRICAL LABEL DRAWING.
- ALL CONDUITS AND WIRE SIZES SHOWN ARE MINIMUM REQUIRED SIZES. SITE CONDITIONS AND PROCUREMENT MAY DICTATE LARGER SIZES BEING USED, WITH ENGINEERING APPROVAL.
- ALL EXPOSED PV WIRE MUST BE SECURELY FASTENED. ALL CONDUIT MUST BE SECURELY FASTENED AND SUPPORTED ACCORDING TO NEC-2017 ARTICLE 300.
- ALL CONDUCTORS TO BE STRANDED THWN-2 CU UNLESS OTHERWISE NOTED.
- UNGROUNDED CONDUCTOR INSULATION COLORS: BLACK, RED, BLUE, BROWN, ORANGE, YELLOW
- GROUNDING CONDUCTOR INSULATION COLORS: WHITE, GREY, BLACK+WHITE STRIPE.
- EQUIPMENT GROUNDING CONDUCTORS (EGC) / GROUNDING ELECTRODE CONDUCTORS (GEC) COLORS: GREEN, BARE
- GEC TO BE IRREVERSIBLY SPliced OR EXOTHERMICALLY WELDED.

ELECTRICAL SCOPE DETAILS



ELECTRICAL DRAWING
PV-04
4 OF 4

SUNCOMMON
13 HOOK ROAD
RHINEBECK, NEW YORK 12572
(866)-452-7652

SUNCOMMON CONFIDENTIAL AND PROPRIETARY

DENEHY
32 HUDSON WAY
COLD SPRING, NY 10516
TOWN OF PHILIPSTOWN
PUTNAM COUNTY
PHONE: (914) 450-2235

PROJECT LOG

DB	V#	DATE	NOTES
PSC	1	10/04/2021	ORIGINAL

APPLICABLE CODES:
CONTRACTOR TO PERFORM ALL WORK IN ACCORDANCE WITH THE 2020 RESIDENTIAL CODE OF NEW YORK STATE.

SYSTEM DETAILS

DC SYSTEM SIZE (kWp):	27.84	MODULE (QTY) MODEL:	(64) LG435N2T-E6
AC SYSTEM SIZE (kW):	21.36	INVERTER (QTY) MODEL:	(2) SB7.7-1SP-US-41 (1) SB6.0-1SP-US-41
SERVICE SIZE (A):	400		
SERVICE TYPE:	UNDERGROUND	UTILITY:	CENTRAL HUDSON