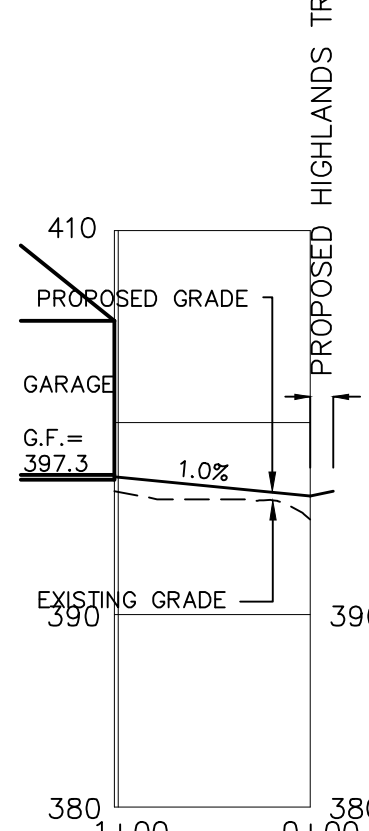
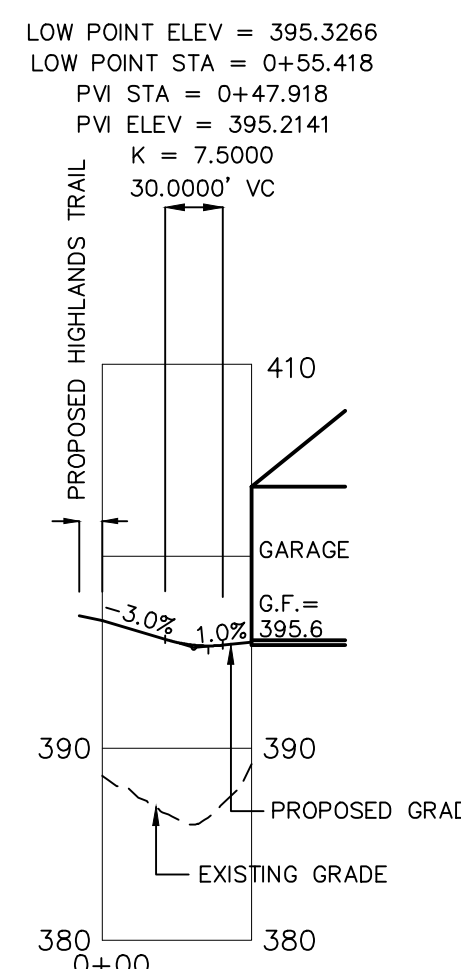


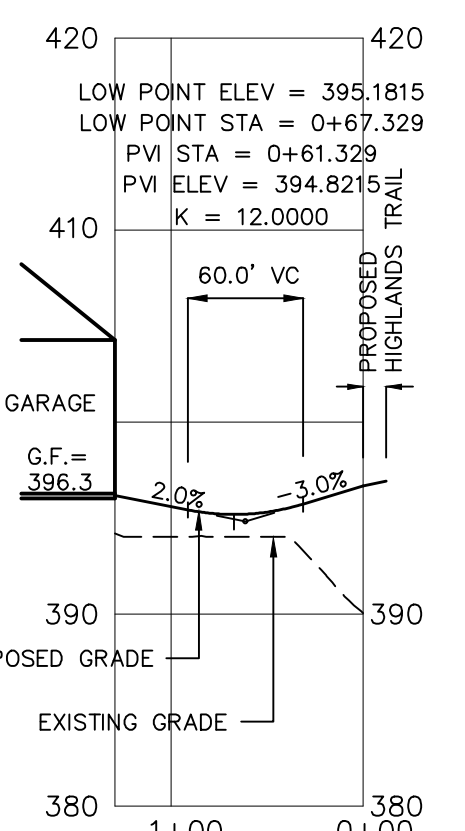
**PROPOSED DRIVEWAY LOT 2**  
 HORIZONTAL SCALE 1" = 100'  
 VERTICAL SCALE 1" = 10'



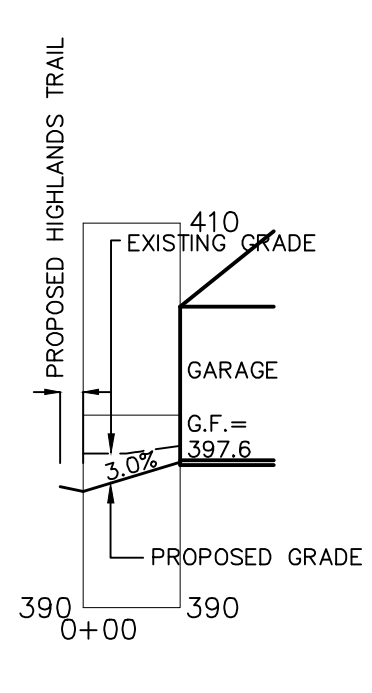
**PROPOSED DRIVEWAY LOT 3**  
 HORIZONTAL SCALE 1" = 100'  
 VERTICAL SCALE 1" = 10'



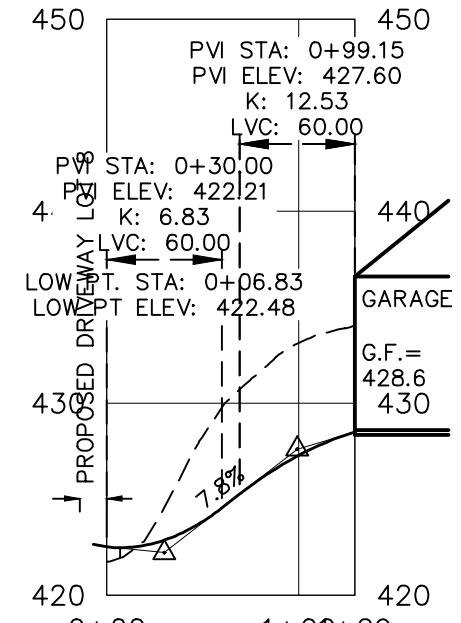
**PROPOSED DRIVEWAY LOT 4**  
 HORIZONTAL SCALE 1" = 100'  
 VERTICAL SCALE 1" = 10'



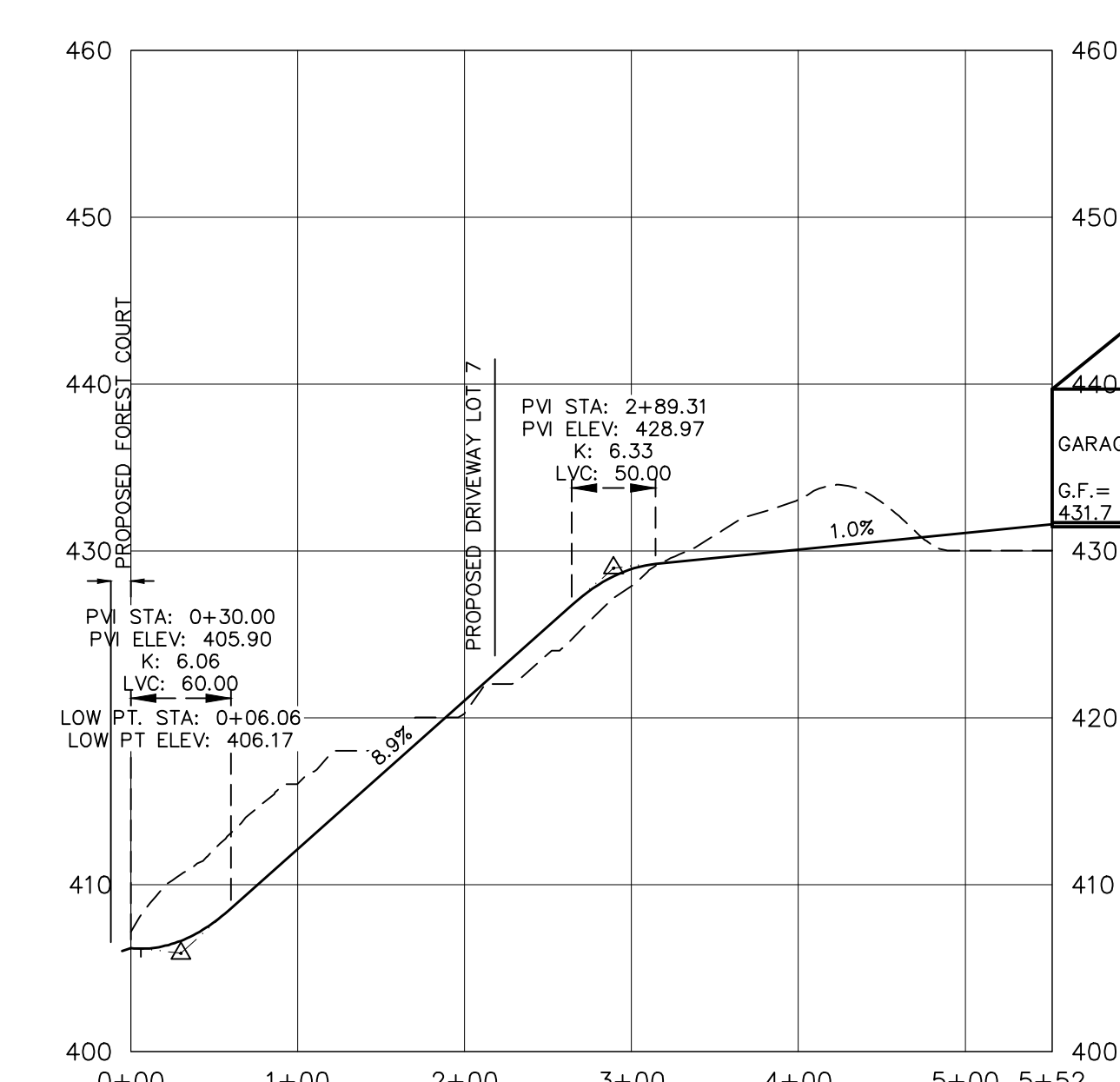
**PROPOSED DRIVEWAY LOT 5**  
 HORIZONTAL SCALE 1" = 100'  
 VERTICAL SCALE 1" = 10'



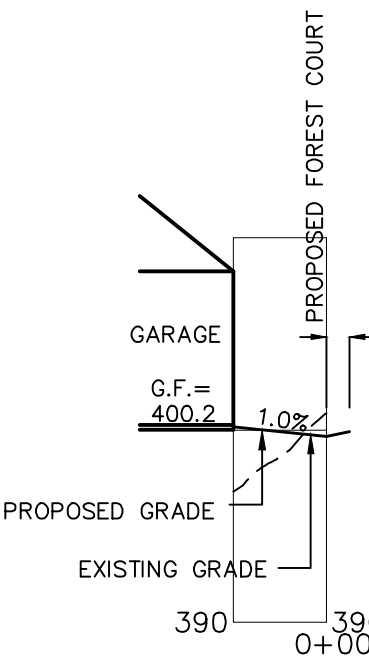
**PROPOSED DRIVEWAY LOT 6**  
 HORIZONTAL SCALE 1" = 100'  
 VERTICAL SCALE 1" = 10'



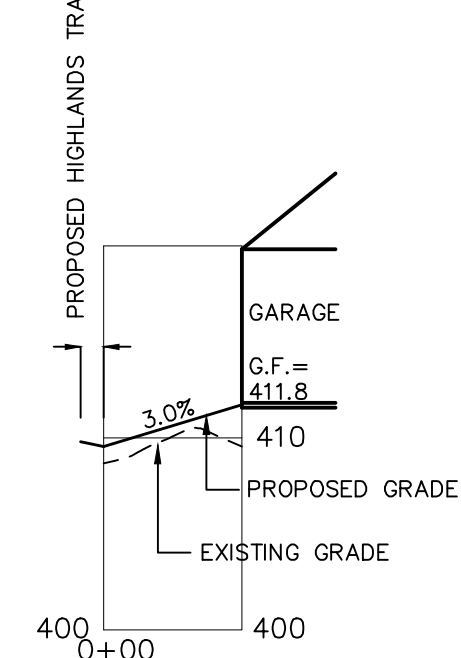
**PROPOSED DRIVEWAY LOT 7**  
 SCALE: V: 1" = 10  
 H: 1" = 100



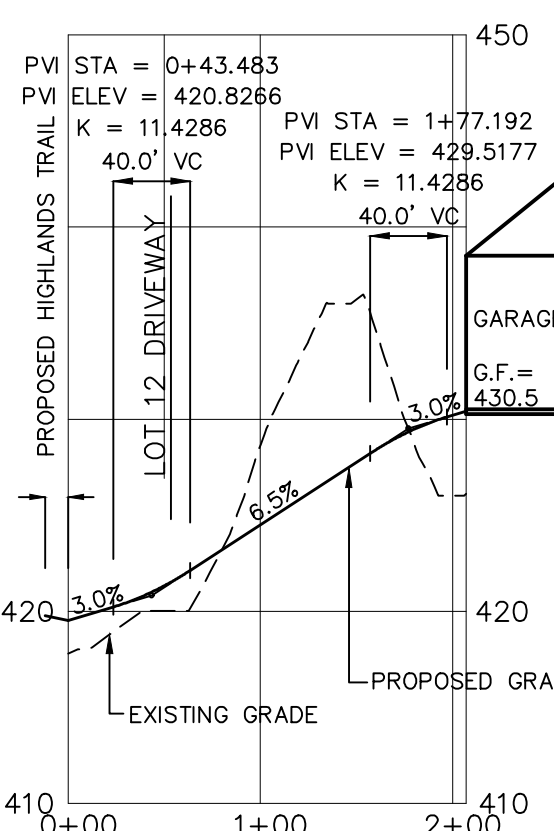
**PROPOSED DRIVEWAY LOT 8**  
 SCALE: V: 1" = 10  
 H: 1" = 100



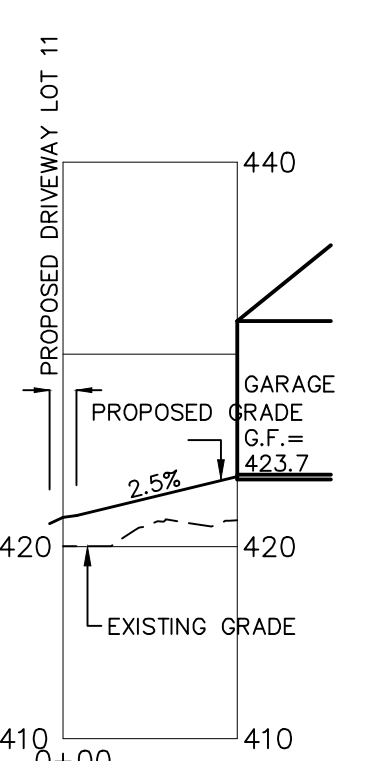
**PROPOSED DRIVEWAY LOT 9**  
 HORIZONTAL SCALE 1" = 100'  
 VERTICAL SCALE 1" = 10'



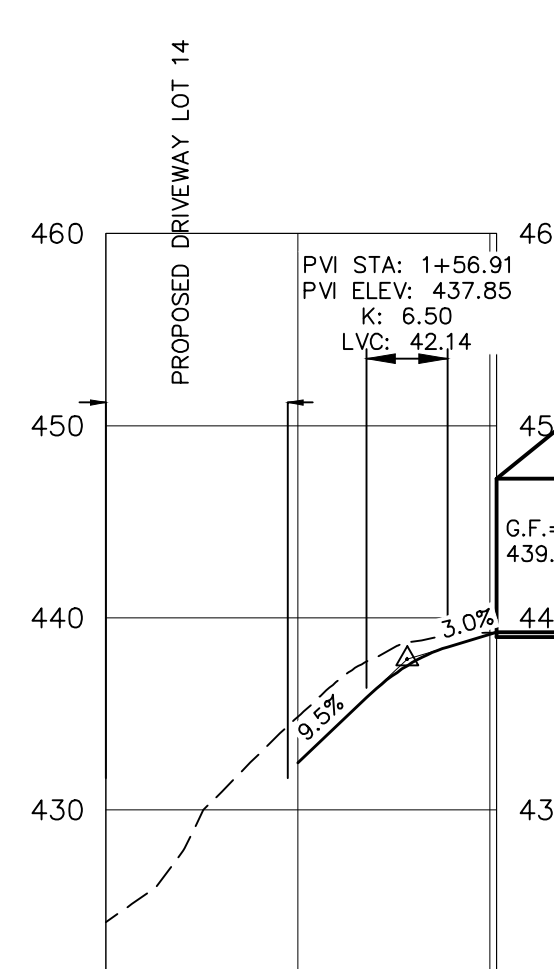
**PROPOSED DRIVEWAY LOT 10**  
 HORIZONTAL SCALE 1" = 100'  
 VERTICAL SCALE 1" = 10'



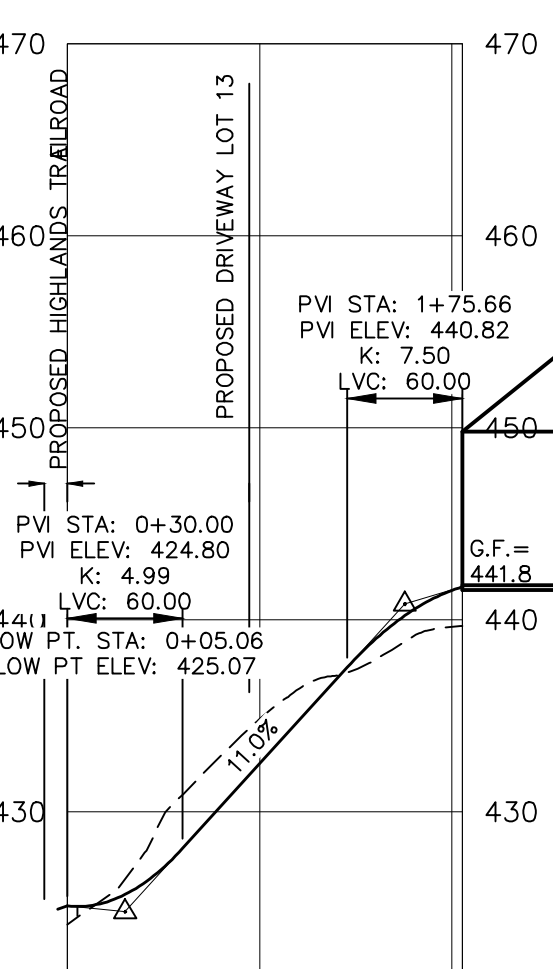
**PROPOSED DRIVEWAY LOT 11**  
 HORIZONTAL SCALE 1" = 100'  
 VERTICAL SCALE 1" = 10'



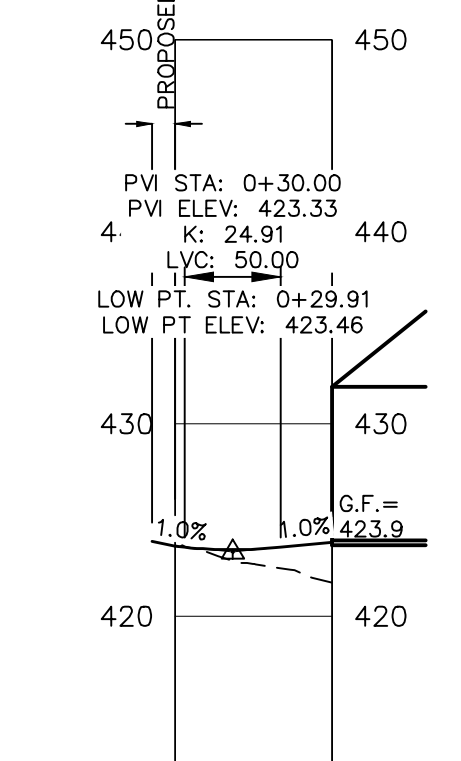
**PROPOSED DRIVEWAY LOT 12**  
 HORIZONTAL SCALE 1" = 100'  
 VERTICAL SCALE 1" = 10'



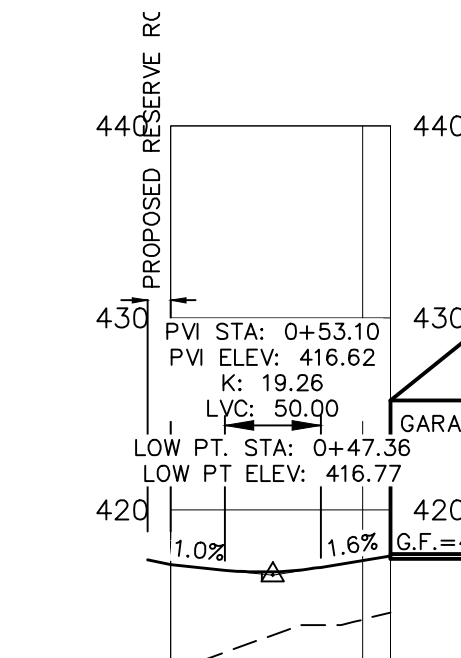
**PROPOSED DRIVEWAY LOT 13**  
 SCALE: V: 1" = 10  
 H: 1" = 100



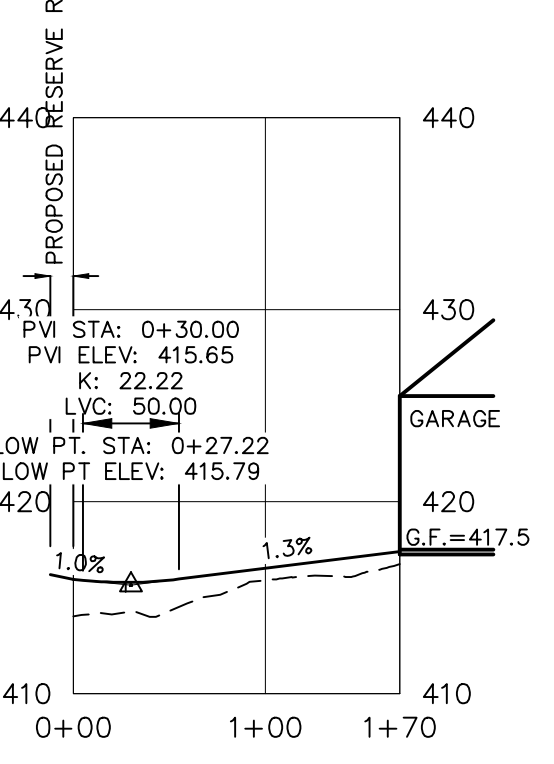
**PROPOSED DRIVEWAY LOT 14**  
 SCALE: V: 1" = 10  
 H: 1" = 100



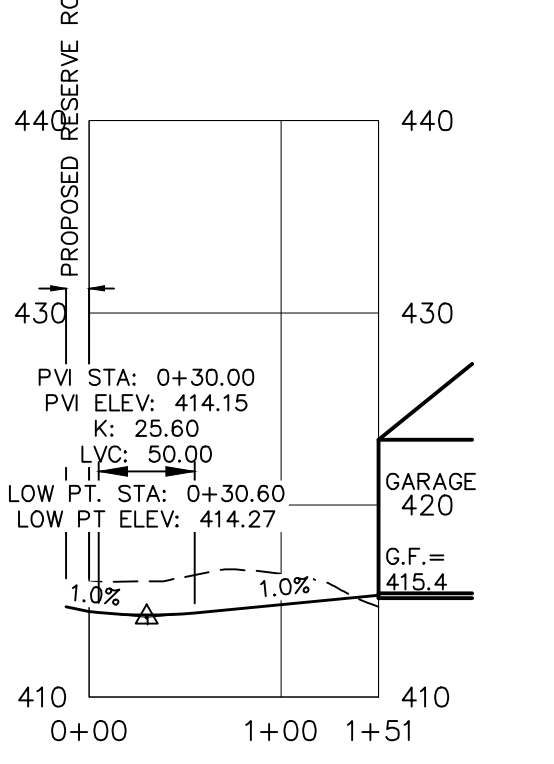
**PROPOSED DRIVEWAY LOT 15**  
 SCALE: V: 1" = 10  
 H: 1" = 100



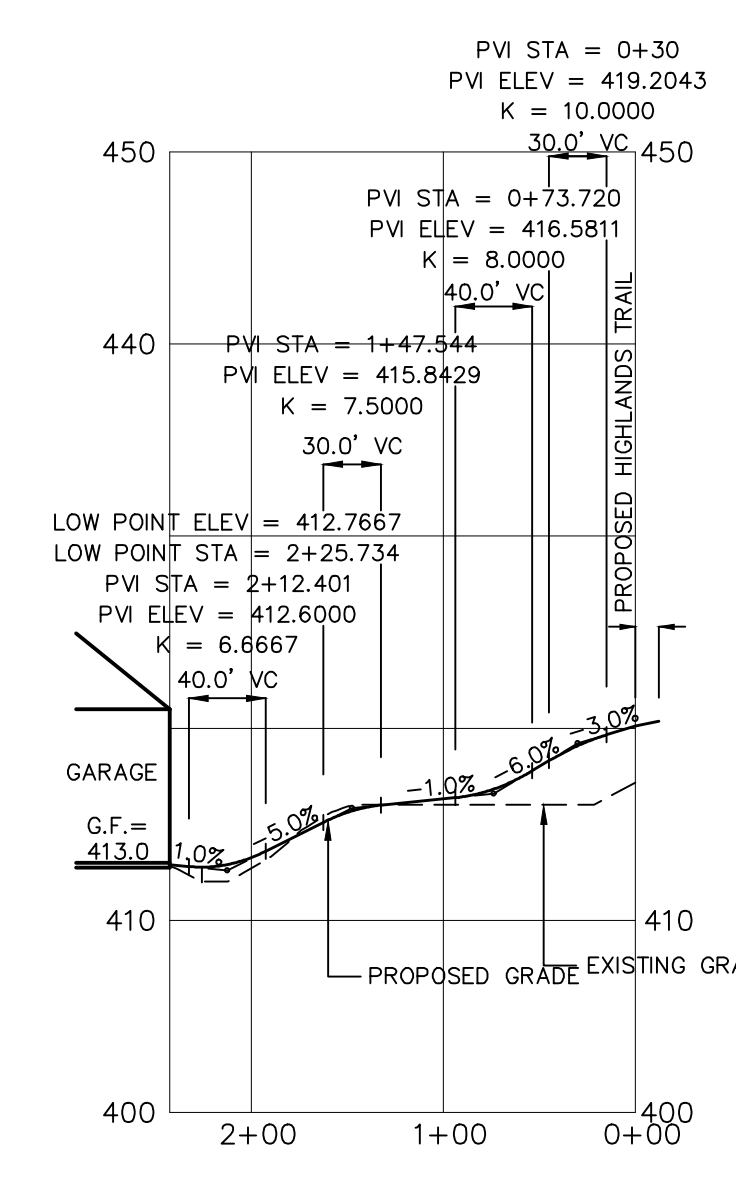
**PROPOSED DRIVEWAY LOT 16**  
 SCALE: V: 1" = 10  
 H: 1" = 100



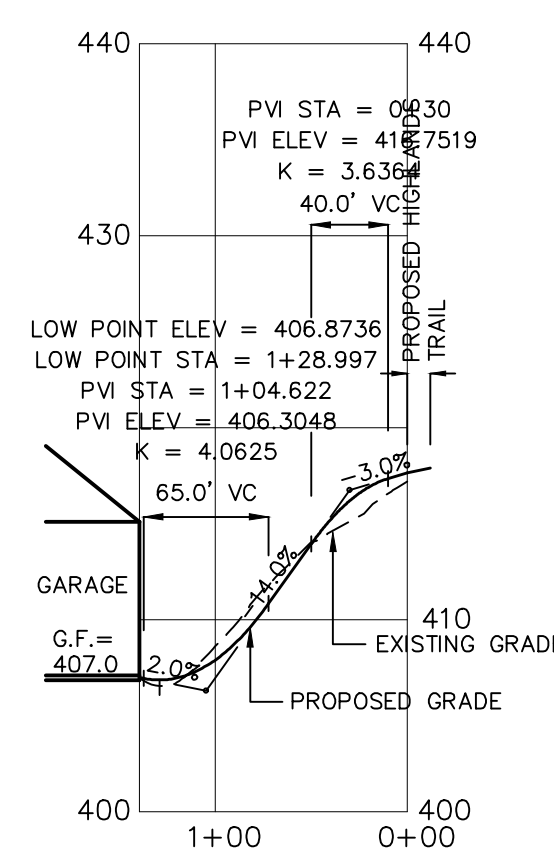
**PROPOSED DRIVEWAY LOT 17**  
 SCALE: V: 1" = 10  
 H: 1" = 100



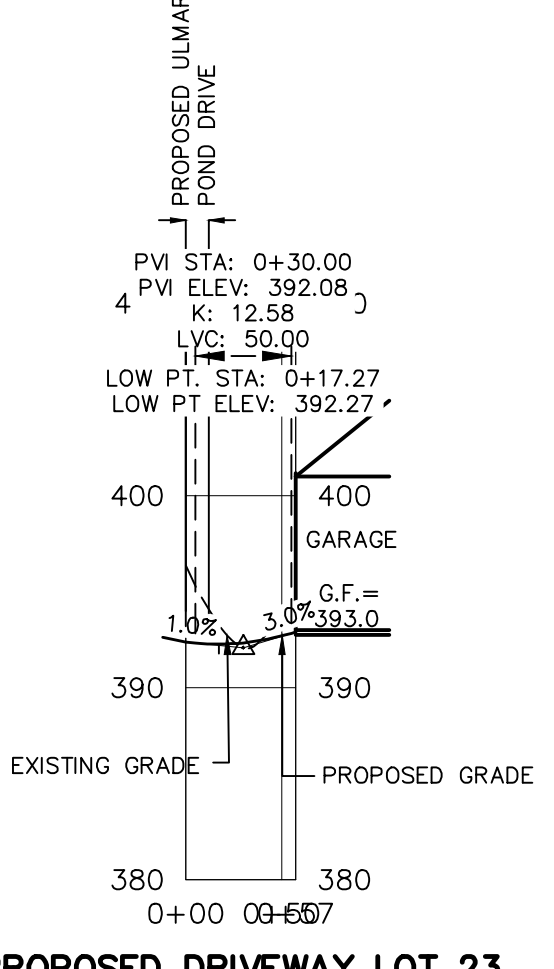
**PROPOSED DRIVEWAY LOT 18**  
 SCALE: V: 1" = 10  
 H: 1" = 100



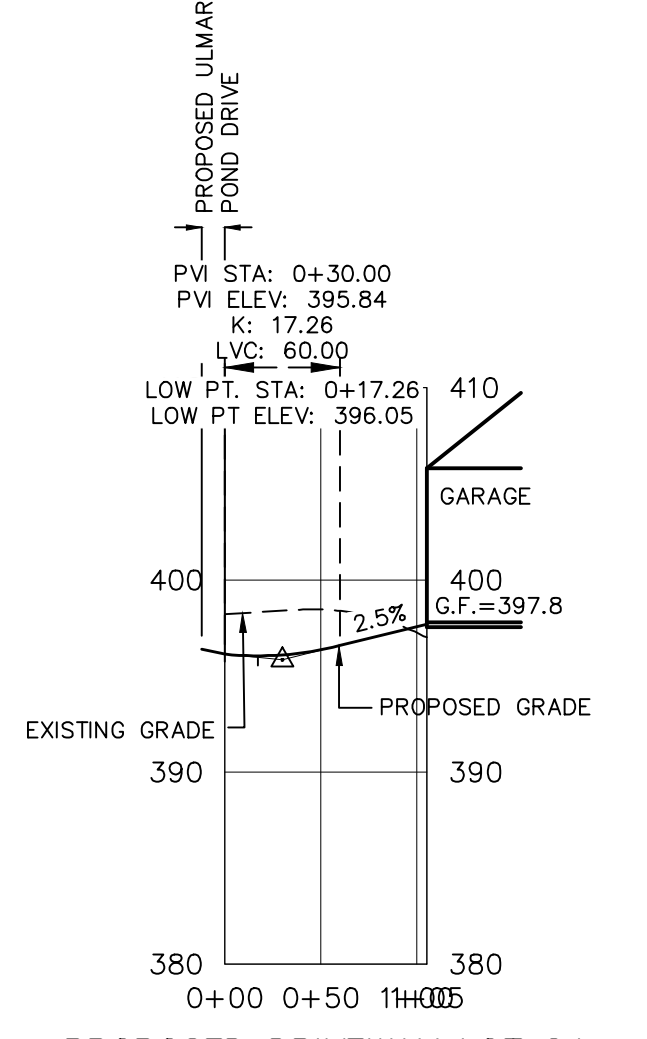
**PROPOSED DRIVEWAY LOT 21**  
 HORIZONTAL SCALE 1" = 100'  
 VERTICAL SCALE 1" = 10'



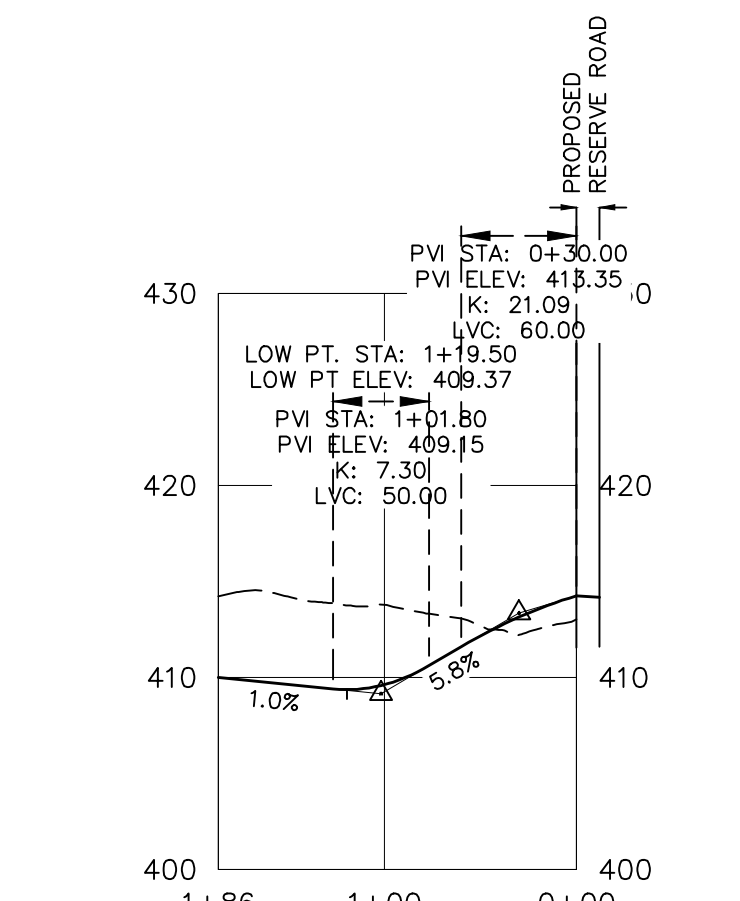
**PROPOSED DRIVEWAY LOT 22**  
 HORIZONTAL SCALE 1" = 100'  
 VERTICAL SCALE 1" = 10'



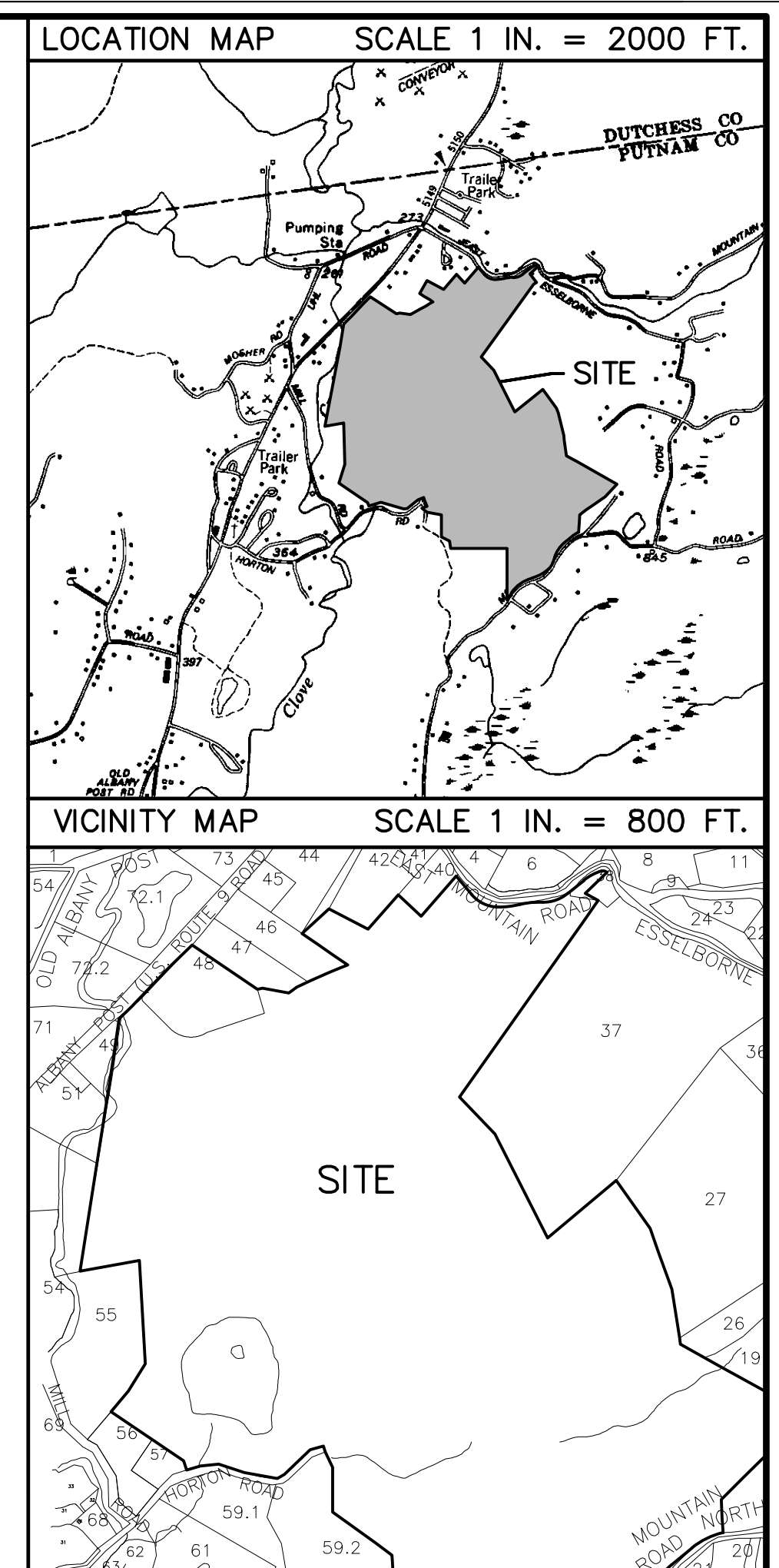
**PROPOSED DRIVEWAY LOT 23**  
 SCALE: V: 1" = 10  
 H: 1" = 100



**PROPOSED DRIVEWAY LOT 24**  
 SCALE: V: 1" = 10  
 H: 1" = 100



**PROPOSED DRIVEWAY HISTORICAL BARN**  
 SCALE: V: 1" = 10  
 H: 1" = 100



TAX MAP NUMBER	
SECTION: 17	17
BLOCK: 1	1
LOT: 39	48

REVISIONS	
DATE	REVISION DESCRIPTION
04/15/2021	R16 FEIS RESPONSES
11/04/2021	R17 REVISED LOT LAYOUTS & SHORTENED RESERVE ROAD
03/03/2022	R19 FEIS RESPONSES

**UNDERGROUND WARNING - NYS CODE RULE 753**  
 NEW YORK STATE INDUSTRIAL CODE 53 REQUIRES EXCAVATORS TO CALL DIG SAFELY NEW YORK, INC. (800-962-7862) FOR A MEMBER-UTILITY LOCATION REQUEST AT LEAST TWO (2) WORKING DAYS, BUT NOT MORE THAN TEN (10) WORKING DAYS BEFORE ANY EXCAVATION OR DEMOLITION STARTS, REGARDLESS OF LOCATION. NOT ALL UTILITIES AND MUNICIPALITIES ARE MEMBERS OF DIG SAFELY NEW YORK, INC., AND NON-MEMBER UTILITY OPERATORS MUST BE CONTACTED DIRECTLY.

**WARNING STAMP**  
 ALTERATION OF THIS DOCUMENT, IN ANY WAY, BY ANY PERSON NOT UNDER THE DIRECTION OF A LICENSED PROFESSIONAL ENGINEER OR LAND SURVEYOR, AS APPROPRIATE, IS A VIOLATION OF THE EDUCATION LAW OF THE STATE OF NEW YORK

<b>PROJECT LOCATION</b> ROUTE 9, HORTON ROAD, E MT ROAD N TOWN OF PHILIPSTOWN COUNTY OF PUTNAM STATE OF NEW YORK
<b>PROPERTY OWNER</b> HORTON ROAD LLC 315 EAST 91ST STREET UNIT 2S NEW YORK, NY 10128
<b>APPLICANT</b> HORTON ROAD LLC 315 EAST 91ST STREET UNIT 2S NEW YORK, NY 10128
<b>PROJECT DESCRIPTION</b> 24 LOT CONSERVATION SUBDIVISION.

**PRELIMINARY PLAN SET**  
 PREPARED FOR  
**HUDSON HIGHLANDS RESERVE**  
**DRIVEWAY PROFILE LAYOUTS**

SCALE: AS NOTED

**PRINTED**  
 February 28, 2022  
**BADEY & WATSON**  
 Surveying & Engineering, D.P.C.  
 LICENSE No. 103021

**BADEY & WATSON**  
 Surveying & Engineering, D.P.C.  
 3063 Route 9  
 Cold Spring, NY 10516  
 www.Badey-Watson.com  
 845.265.9217  
 877.5.141593 (Toll Free)