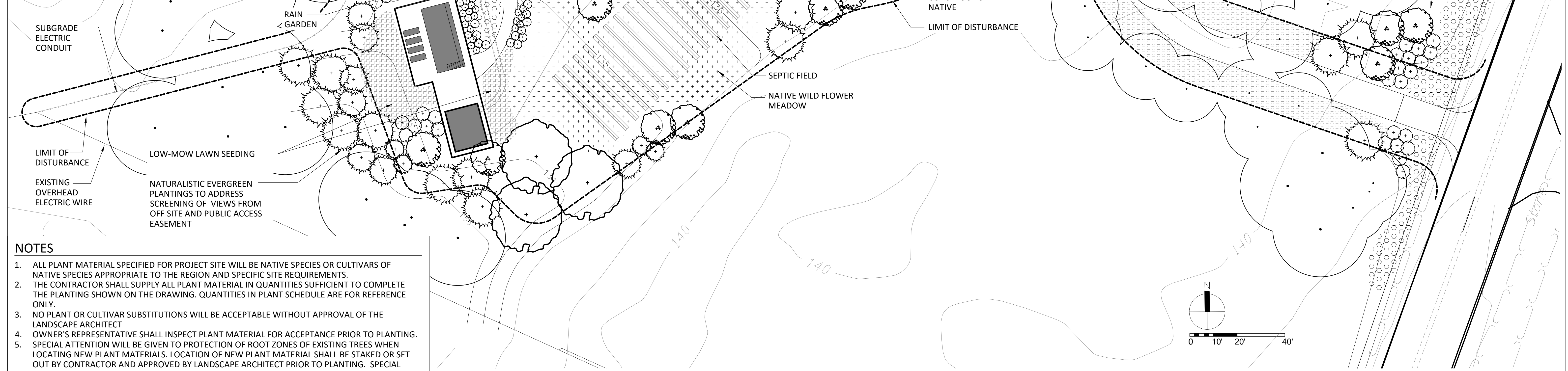
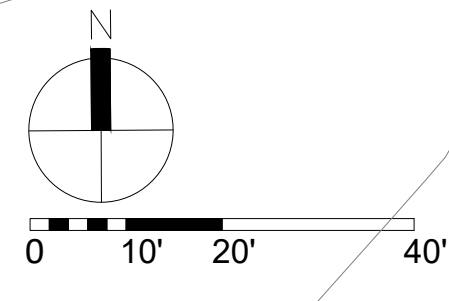


PLANT LIST	
BOTANICAL NAME	COMMON NAME
DECIDUOUS TREES	
ACER RUBRUM	RED MAPLE
LIRIODENDRON TULIPIFERA	TULIP TREE
QUERCUS BICOLOR	SWAMP WHITE OAK
QUERCUS RUBRA	RED OAK
UNDERSTORY/SMALL DECIDUOUS TREES	
AMELANCHIER CANADENSIS	SERVICEBERRY
CERCIS CANADENSIS 'FOREST PANSY'	CANADIAN REDBUD
CORNUS FLORIDA	FLOWERING DOGWOOD
CHIONANTHUS VIRGINICUS	FRINGE TREE
CRETAEGUS MOLLIS	DOWNY HAWTHORN
EVERGREEN TREES	
ABIES FRASIERI	FRASIER FIR
ILEX OPACA	AMERICAN HOLLY
JUNIPERUS VIRGINIANA 'EMERALD SENTINEL'	EASTERN REDCEDAR 'EMERALD SENTINEL'
PICEA ABIES	NORWAY SPRUCE
PICEA GLAUCA	WHITE SPRUCE
DECIDUOUS SHRUBS	
ARONIA MELANOCARPA 'MORTON' IRAQUOIS BEAUTY	IRAQUOIS BEAUTY CHOKEBERRY
CLETHRA ALNIFOLIA 'HUMMINGBIRD'	HUMMINGBIRD SWEET PEPPERBUSH
CLETHRA ALNIFOLIA 'RUBY SPICE'	RUBY SPICE SWEET PEPPERBUSH
CORNUS SERICEA 'CARDINAL'	CARDINAL REDOSIER DOGWOOD
HYDRANGEA SERRATA 'TUFF STUFF'	REBLOOMING MOUNTAIN HYDRANGEA
HAMAMELIS VIRGINIANA	COMMON WITCHHAZEL
ILEX VERTICILATA	WINTERBERRY
ITEA VIRGINICA 'LITTLE HENREY'	VIRGINIA SWEETSPIRE 'LITTLE HENREY'
LINDERA NENZOIN	SPICEBUSH
MYRICA PENNSYLVANICA	NORTHERN BAYBERRY
PHYSCARPUS OPULIFOLIS 'MONLO'	NINEBARK
PHYSCARPUS OPULIFOLIS 'TINY WINE'	TINY WINE GOLDNINEBARK
RHUS AROMATICA 'GOR-LOW'	FRAGRANT SUMAC 'GOR-LOW'
VIBURNUM DENTATUM	ARROWWOOD
VIBURNUM NUDUM 'WINTERHUR'	SMOOTH WITHERROD
EVERGREEN SHRUBS	
ILEX GLABRA	INKBERRY HOLLY
ILEX GLABRA 'COMPACTA'	COMPACT INKBERRY HOLLY
ILEX GLABRA 'GEMBOX'	GEMBOX INKBERRY HOLLY
PERENNIALS/GRASSES/ GROUNDCOVERS	
ANEMONE CANADENSIS	CANADIAN ANEMONE
ASTER NOVAE-ANGLIAE	NEW ENGLAND ASTER
BAPTISTA AUSTRALIS	BLUE WILD INDEGO
CAMPANULA PORTENSCHLAGIANA	DALMATIAN BELLFLOWER
CAREX GRAYI	GRAY'S SEDGE
CORNUS STOLONIFERA	REDSIER DOGWOOD
DENNSTAEDIA PUNCTILOBUL	HAYSCENTED FERN
DESCHAMPSIA CEPITOSA	TUFT HAIRGRASS
ECHINACEA PURPUREA	PURPLE CONEFLOWER
GERANIUM MACRORRHIZUM	BIG ROOT GERANIUM
GERANIUM MACULATUM	WILD GERANIUM
MONARDA FISTULOSA	BEFBALM
OSMUNDA CLAYTONIANA	INTERUPTED FERN
PENNISETUM ALOPECUROIDES 'LITTLE BUNNY'	LITTLE BUNNY FOUNTAIN GRASS
POLEMONIUM REPTANS	JACOB'S LADDER
POLYSTICHUM ACROSTICHOIDES	CHRISTMAS FERN
RUDBECKIA FULGIDA 'GOLDSTRUM'	BLACK EYED SUSAN
TIARELLA CORDIFOLIA 'SUGAR AND SPICE'	FOAMFLOWER



LEGEND	
	DECIDUOUS CANOPY TREE
	DECIDUOUS UNDERSTORY TREE
	EVERGREEN TREE
	DECIDUOUS SHRUBS
	EVERGREEN SHRUBS
	WOODLAND OPENINGS MIX (NATIVE SPECIES, PLUGS AND SEEDING)
	WILDFLOWER MEADOW SEED MIX (NATIVE SPECIES)
	LOW-MOW LAWN SEED MIX
	RAIN GARDEN MIX (NATIVE SPECIES, PLUGS AND SEEDING)
	NATIVE PERENNIALS AND ORNAMENTAL GRASSES

- NOTES**
- ALL PLANT MATERIAL SPECIFIED FOR PROJECT SITE WILL BE NATIVE SPECIES OR CULTIVARS OF NATIVE SPECIES APPROPRIATE TO THE REGION AND SPECIFIC SITE REQUIREMENTS.
 - THE CONTRACTOR SHALL SUPPLY ALL PLANT MATERIAL IN QUANTITIES SUFFICIENT TO COMPLETE THE PLANTING SHOWN ON THE DRAWING. QUANTITIES IN PLANT SCHEDULE ARE FOR REFERENCE ONLY.
 - NO PLANT OR CULTIVAR SUBSTITUTIONS WILL BE ACCEPTABLE WITHOUT APPROVAL OF THE LANDSCAPE ARCHITECT
 - OWNER'S REPRESENTATIVE SHALL INSPECT PLANT MATERIAL FOR ACCEPTANCE PRIOR TO PLANTING. SPECIAL ATTENTION WILL BE GIVEN TO PROTECTION OF ROOT ZONES OF EXISTING TREES WHEN LOCATING NEW PLANT MATERIALS. LOCATION OF NEW PLANT MATERIAL SHALL BE STAKED OR SET OUT BY CONTRACTOR AND APPROVED BY LANDSCAPE ARCHITECT PRIOR TO PLANTING. SPECIAL ATTENTION WILL BE GIVEN TO PROTECTION OF ROOT ZONES OF EXISTING TREES WHEN LOCATING NEW PLANT MATERIALS.
 - THE CONTRACTOR SHALL REMOVE ALL PLASTIC MATERIAL FROM AROUND THE ROOT BALLS OF THE PLANTS AFTER POSITIONING IN THE PLANT PITS. REMOVE BURLAP, ROPE, AND WIRE FROM AROUND THE TRUNK SUFFICIENTLY SO THAT NO BURLAP, ROPE OR WIRE WILL BE EXPOSED AFTER BACKFILLING.
 - CONTRACTOR SHALL EXERCISE EXTREME CARE IN WORKING IN AREA OF EXISTING TREES. EXISTING PLANTS TO REMAIN AND BE PROTECTED, WHICH ARE INJURED OR DESTROYED DURING CONSTRUCTION SHALL BE REPLACED BY CONTRACTOR WITH PLANTS OF EQUAL SIZE AND SPECIES AT NO COST TO THE OWNER.
 - ALL AREAS THAT HAVE BEEN DISTURBED BY PLANTING ACTIVITY SHALL BE RESTORED TO A NEAT CONDITION. AREAS WITH BARE SOIL SHALL BE TOPSOILED AND SEEDED WITH NATIVE SEED MIX.
 - THE CONTRACTOR SHALL WATER TREES, SHRUBS AND GROUNDCOVER TWICE DURING THE FIRST 24 HOURS AND AS NEEDED THROUGHOUT THE FIRST GROWING SEASON.



PLAN FOR MUNICIPAL BOARD REVIEW
NOT FOR CONSTRUCTION

ASPECT 120 LANDSCAPE ARCHITECTURE P.C.
95 NORTH BROADWAY, SUITE 213
IRVINGTON, NY 10533
WWW.ASPECT120.COM
PHONE: (914) 274-8544

OWNER: JOHN SADLOW/ SVEN WENSKJE
529 WEST 42ND STREET, APT 6G
NEW YORK, NY 10036

PROJECT: 825 ROUTE 9D
GARRISON, NY 10524

JOB NO.: R59
SCALE: 1"=20'-0"
DATE: 02/03/2022

REVISIONS:

DRAWING TITLE: ECOLOGICAL LANDSCAPE RESTORATION PLAN

SEALED LANDSCAPE ARCHITECT
REGISTERED PROFESSIONAL LANDSCAPE ARCHITECT
NO. 001007
STATE OF NEW YORK

SHEET NO: L-101